

1.8° Nema 24 (Size 60 mm) Hybrid Motors

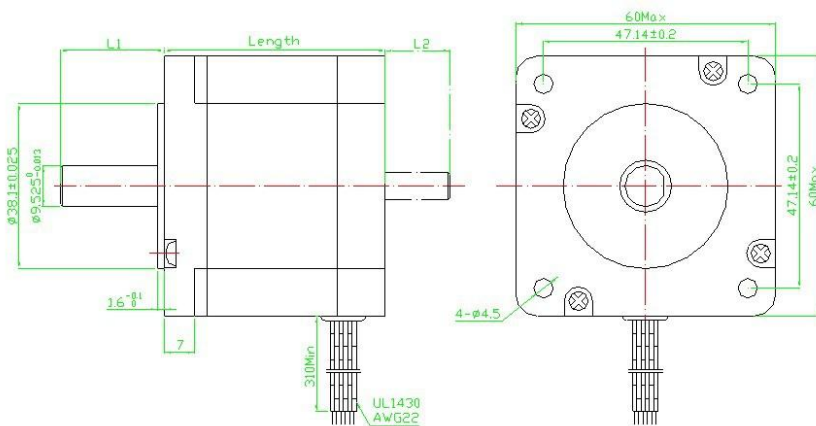
• **General Specification for Hybrid Step Motors**

Item	Specifications
Step Angle Accuracy	±5% (full step, no load)
Resistance Accuracy	±10%
Inductance Accuracy	±20%
Temperature Rise	80°C Max
Ambient Temperature	-20°C~+50°C
Insulation Resistance	100MΩ.,500VDC
Dielectric Strength	500VAC for one minute
Shaft Radial Play	0.02Max(450g-load)
Shaft Axial Play	0.08Max(450g-load)
Insulation Class	Class B

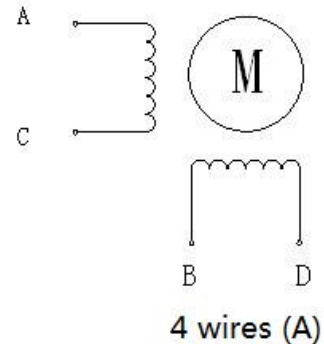


Motor Specification

Model No.		Rated Voltage	Current	Inductance	Resistance	Holding Torque		Weight	No.of leads	Rotor Inertia	Length
Signal shaft	Double Shaft	V	A	mh	Ω	Oz-in	Kg-cm	kg		g-cm2	mm
CS60H56-3004A	CS60H56-3004B	3.6	3	2	1.2	153	11	0.8	4	300	56
CS60H65-2804A	CS60H65-2804B	3.64	2.8	4.2	1.3	306	22	12	4	590	65
CS60H67-2004A	CS60H67-2004B	2.4	2	4.6	1.2	208	15	1.2	4	590	67
CS60H86-4004A	CS60H86-4004B	3.9	4	3.2	0.65	417	30	1.4	4	860	86
CS60H100-5004A	CS60H100-5004B	3	5	2.5	0.6	555	40	1.4	4	1200	100



Note: L1 and L2 can be customized



The motors are qualified with the CE certificate and ISO9001
 The motors can be designed according to the customers requirement